

14118 Stowe Drive, Suite B  
 Poway, CA 92064  
 TEL: (858) 621-2700 | FAX: (858) 486-1927  
 URL: www.zcomm.com  
 EMAIL: applications@zcomm.com

## Voltage-Controlled Oscillator Surface Mount Module

 $\mathcal{L}(f)$  (dBc/Hz)

### Applications

- Basestations
- Satellite Communications
- 

### Application Notes

- AN-101: Mounting and Grounding
- AN-102: Output Loading
- AN-107: Manual Soldering

OFFSET (Hz)

| Performance Specifications             | Min  | Typ        | Max  | Units              |
|--|------|------------|------|--------------------|
| Oscillation Frequency Range            | 1854 |            | 1922 | MHz                |
| Phase Noise @ 10 kHz offset (1 Hz BW)  |      | -112       |      | dBc/Hz             |
| Harmonic Suppression (2nd)             |      | -20        | -17  | dBc                |
| Tuning Voltage                         | 0.5  |            | 4.5  | Vdc                |
| Tuning Sensitivity (avg.)              |      | 20         |      | MHz/V              |
| Power Output                           | -3   | 0          | 3    | dBm                |
| Load Impedance                         |      | 50         |      | $\Omega$           |
| Input Capacitance                      |      |            | 50   | pF                 |
| Pushing                                |      |            | 1    | MHz/V              |
| Pulling (12 dB Return Loss, Any Phase) |      |            | 1    | MHz                |
| Operating Temperature Range            | -30  |            | 80   | $^{\circ}\text{C}$ |
| Package Style                          |      | MINI-16-SM |      |                    |

| Power Supply Requirements  | Min | Typ | Max | Units |
|----------------------------|-----|-----|-----|-------|
| Supply Voltage (Vcc, nom.) |     | 5   |     | Vdc   |
| Supply Current (Icc)       |     | 25  | 30  | mA    |

### Additional Notes

Tuning Curve, typ.

FREQUENCY (MHz)

- 80 °C
- 25 °C
- -30 °C

TUNING VOLTAGE (Vdc)

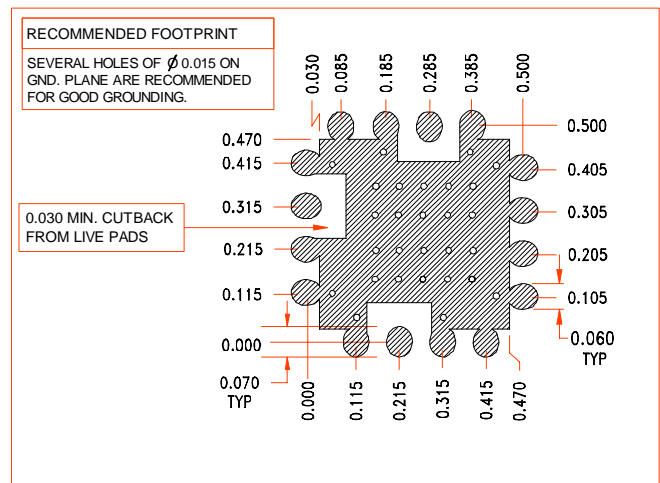
Power Curve, typ.

Footprint

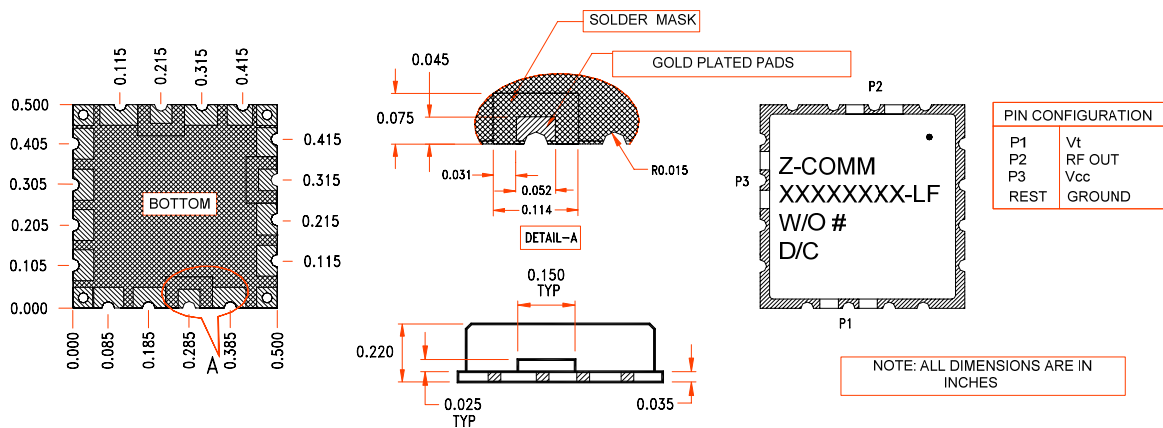
POWER OUTPUT (dBm)

FREQUENCY (MHz)

- 80 °C
- 25 °C
- -30 °C



Physical Dimensions



LFSuffix = RoHS Compliant. All specifications are subject to change without notice.