

14118 Stowe Drive, Suite B
 Poway, CA 92064
 TEL: (858) 621-2700 | FAX: (858) 486-1927
 URL: www.zcomm.com
 EMAIL: applications@zcomm.com

Voltage-Controlled Oscillator Surface Mount Module

 $\mathcal{L}(f)$ (dBc/Hz)

Applications

- Fixed Wireless Terminals
- Satellite Communications
-

Application Notes

- AN-101: Mounting and Grounding
- AN-102: Output Loading
- AN-107: Manual Soldering

OFFSET (Hz)

Performance Specifications	Min	Typ	Max	Units
Oscillation Frequency Range	2950		2950	MHz
Phase Noise @ 10 kHz offset (1 Hz BW)		-115		dBc/Hz
Harmonic Suppression (2nd)		-13	-11	dBc
Tuning Voltage	0		3.3	Vdc
Tuning Sensitivity (avg.)		11		MHz/V
Power Output	6	9	12	dBm
Load Impedance		50		Ω
Input Capacitance			50	pF
Pushing			1	MHz/V
Pulling (12 dB Return Loss, Any Phase)			1	MHz
Operating Temperature Range	-40		85	$^{\circ}\text{C}$
Package Style		MINI-16-SM		

Power Supply Requirements	Min	Typ	Max	Units
Supply Voltage (Vcc, nom.)		5		Vdc
Supply Current (Icc)		30	36	mA

Additional Notes

Tuning Curve, typ.

FREQUENCY (MHz)

- 85 °C
- 25 °C
- -40 °C

TUNING VOLTAGE (Vdc)

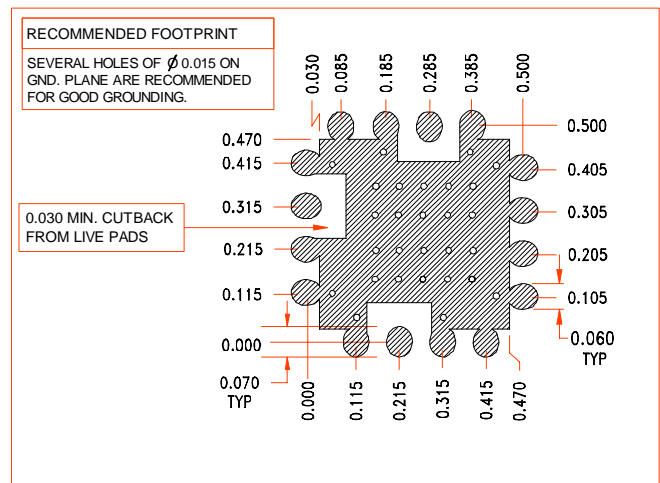
Power Curve, typ.

Footprint

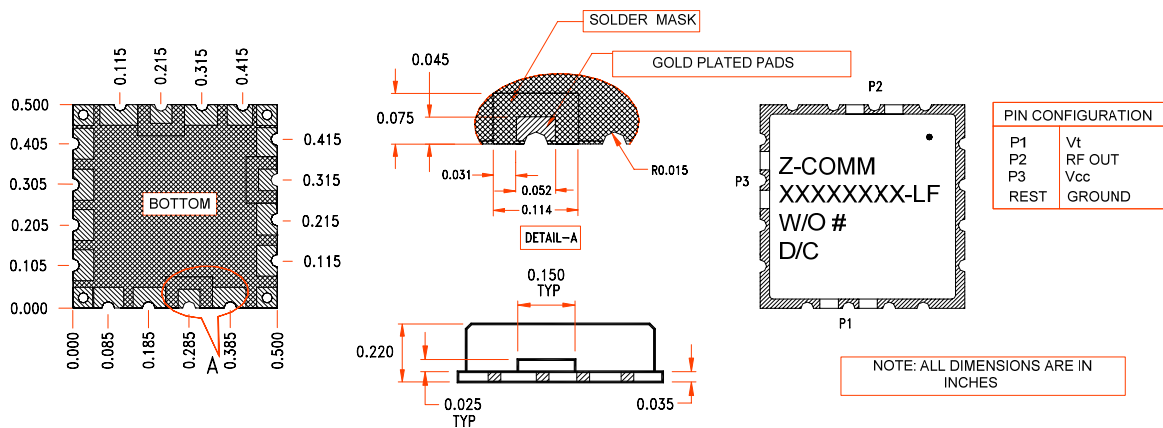
POWER OUTPUT (dBm)

FREQUENCY (MHz)

- 85 °C
- 25 °C
- -40 °C



Physical Dimensions



LFSuffix = RoHS Compliant. All specifications are subject to change without notice.