

## Programmable Phase Locked Loop Surface Mount Module

| Applications | Application Notes |
|--------------|-------------------|
|--------------|-------------------|

- Telecommunications
- Satellite
- Telemetry

- AN-107: Manual Soldering Technique
- AN-202: Programming Z-COMM PLLs

| Performance Specifications            | Min | Typ  | Max | Units        |
|---------------------------------------|-----|------|-----|--------------|
| Frequency                             | 85  |      | 95  | MHz          |
| Phase Noise @ 10 kHz offset (1 Hz BW) |     | -101 |     | dBc/Hz       |
| Harmonic Suppression (2nd)            |     | -10  |     | dBc          |
| Spurious Suppression                  |     | -65  |     | dBc          |
| Power Output                          | -2  | 0.5  | 3   | dBm          |
| Load Impedance                        |     | 50   |     | $\Omega$     |
| Step Size                             |     | 50   |     | kHz          |
| Phase Detector Frequency              |     | 50   |     | kHz          |
| Settling Time                         |     | 3    |     | mS           |
| Charge Pump Output Current            |     | 1250 |     | $\mu$ A      |
| Operating Temperature Range           | -40 |      | 85  | $^{\circ}$ C |
| Package Style                         |     | CPLL |     |              |

| Power Supply Requirements        | Min | Typ | Max | Units |
|----------------------------------|-----|-----|-----|-------|
| Supply Voltage 1: PLL (Vcc, nom) |     | 3.3 |     | Vdc   |
| Supply Voltage 2: VCO (Vcc, nom) |     | N/A |     | Vdc   |
| Supply Current 1: PLL (Icc, typ) |     | 30  |     | mA    |
| Supply Current 2: VCO (Icc, typ) |     | N/A |     | mA    |

| Reference Oscillator Signal | Min | Typ  | Max | Units  |
|-----------------------------|-----|------|-----|--------|
| Frequency                   |     | 10   |     | MHz    |
| Phase Noise @1 kHz Offset   |     | -145 |     | dBc/Hz |

| Additional Notes |
|------------------|
|------------------|

Phase Locked Loop Internal IC: Analog Devices / ADF4001

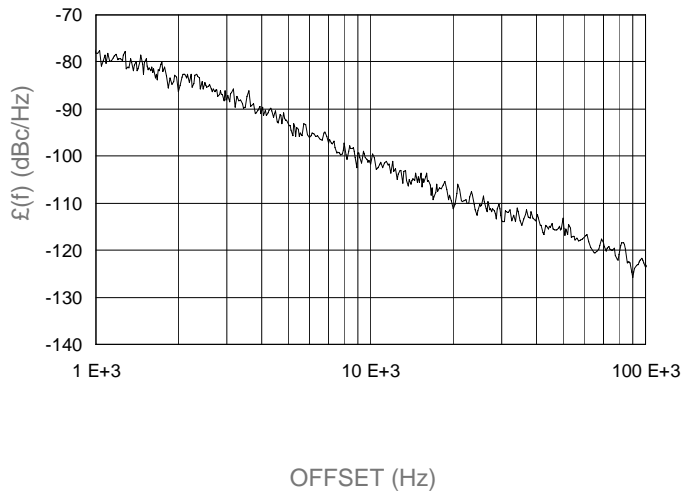
LFSuffix = RoHS Compliant. All specifications are subject to change without notice.

© Z-Communications, Inc. All Rights Reserved.

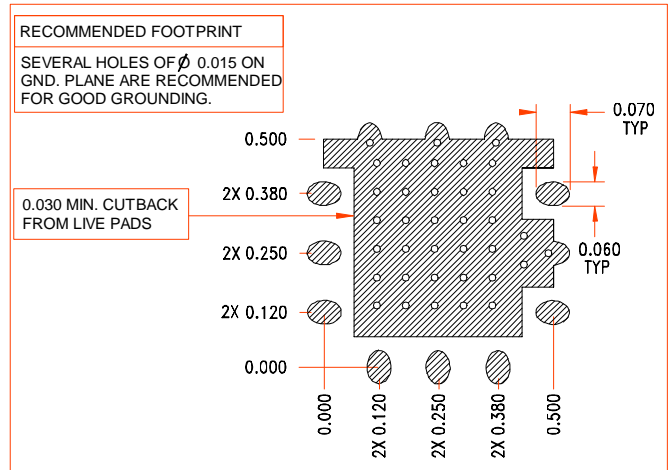
Programmable Phase Locked Loop  
Surface Mount Module

Phase Noise, typ.

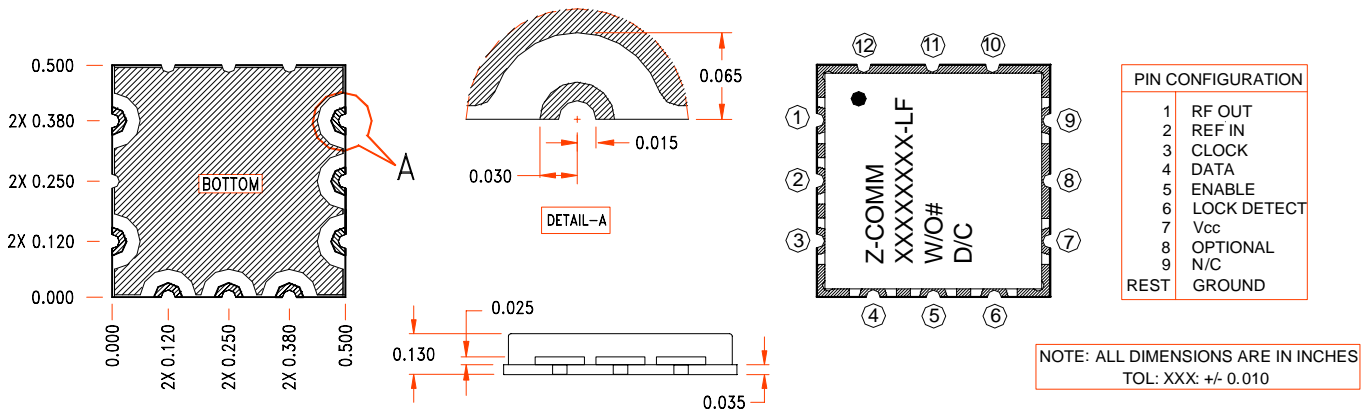
PHASE NOISE (1 Hz BW, typical)



Footprint



Physical Dimensions



LFSuffix = RoHS Compliant. All specifications are subject to change without notice.

© Z-Communications, Inc. All Rights Reserved.

URL: [www.zcomm.com](http://www.zcomm.com) | EMAIL: [applications@zcomm.com](mailto:applications@zcomm.com)